



METAL BUILDING COMPONENTS



IT'S PRIME TIME

When you need more than a metal building, you need Prime. Prime Metal Buildings & Components is the leading designer and supplier of innovative metal buildings.

WWW.PRIMEBLDG.COM

TABLE OF CONTENTS

- 2 > **About Prime**
- 4 > **Manufacturing**
- 6 > **Metal Roofing**
- 10 > **Building Components**
- 12 > **Sheet Metal**
- 15 > **Trim & Gutters**
- 18 > **Structural Steel**
- 24 > **Doors**
- 26 > **Screws, Anchors, Rivets**
- 28 > **Locations**

WHEN YOU NEED MORE THAN A METAL BUILDING, You Need PRIME

We manufacture and supply metal buildings and metal building components for any project type. Our design approach is interactive and allows you to be included in every step of the project to ensure you are getting exactly what you need. We build relationships and metal buildings that last. Our capabilities are vast as your imagination.

“ The customer service has been excellent, turnaround time on orders is exceptional, they offer a quality selection of materials. I highly recommend these guys and their business!
- Grady Douglass
Douglass Steel Structures ”



OUR PROCESS

Collaborate

First, we listen and learn about your project and your vision. Then our team will assess your needs and make suggestions based on our experiences. We will work with you to make sure that you get the metal building you need.

Design

We use state-of-the-art technology to create preliminary drawings that you can use to visualize your new building. We'll include you in the process as we design your project.

Estimate

Our team of estimators will evaluate your project's design, timeline, and budget to provide you with a detailed quote. With our history of delivering both small and large projects on time and on budget, you can rest assured that we have taken every detail into consideration when formulating your quote.

Commit

Once an agreement has been reached, it's time to sign the paperwork and get started! We'll communicate key production and delivery dates, so you know exactly what to expect.

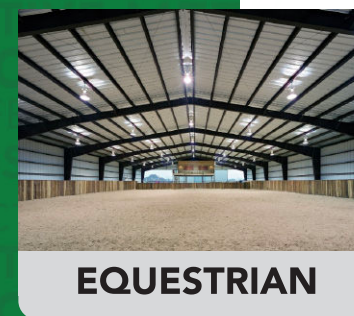
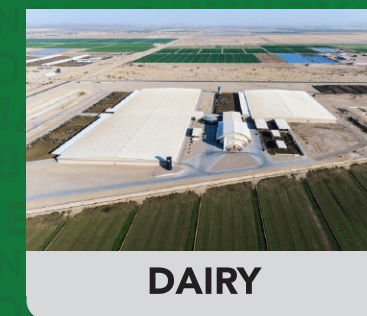
Manufacture

Our in-house production capabilities allow us to manufacture everything that goes into a metal building including primary framing, secondary framing, sheets, and trim. Our streamlined production process has been proven to deliver even the largest facilities on time and on budget.

Support

We're with you from start to finish, and we mean it. Once your building is delivered, we provide support throughout the entire erection process.

Metal Building Solutions



It's Prime Time.

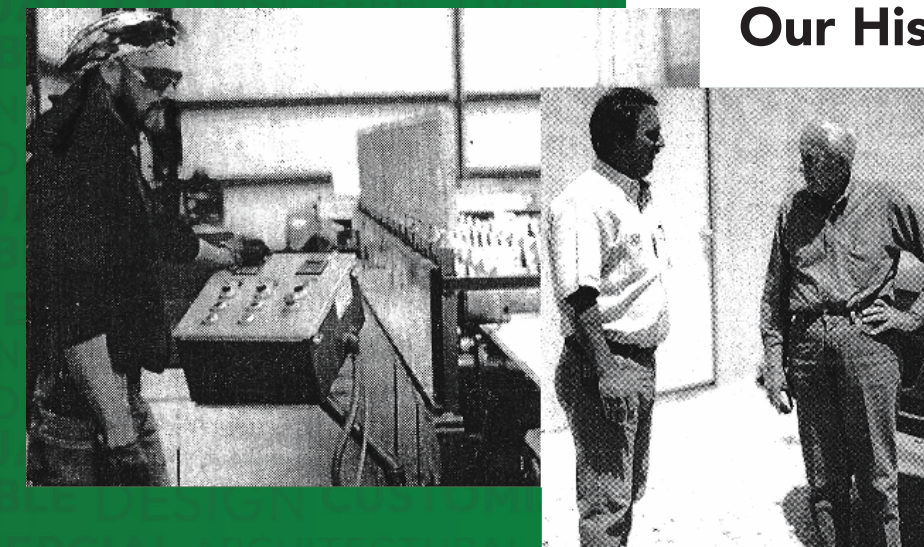
Give us a call for a fast, free quote today!

(254) 445-4462

About Us

Prime is a full-service metal building and metal building component manufacturing company. We design, engineer, and supply metal buildings and manufacture everything that goes into a metal building including roof panels, trim, wall panels, purlins, rafters, and columns. Since the beginning, integrity and a good solid work ethic has been the basis on which Prime has built over two decades of business on.

Our History



Prime was founded in 1997 when Keith Brown and the late Bud Sakraida got together and bought a roll former. The goal was to fill a void in the market while delivering exceptional quality and service. In the beginning that we coined our 24 hour lead time on sheet metal and trim orders which was unheard of in the industry at the time. By 2000, Prime established our pre-engineered metal building and design division. Today, Prime is a full service metal building manufacturer with all three of the main components (sheets/trim, purlin, structural framing) being made under the Prime brand. Prime is still owned and operated by Keith Brown alongside his son, Austin Brown.

For over 25 years, we have been custom designing durable metal buildings to fit any type of project including agricultural, aviation, commercial, equestrian, dairy, residential, and more.



MANUFACTURING



| Robotic Welding Technology



Scan to watch manufacturing video.

Made by Prime.

From structural steel and purlin to sheets and trim, Prime manufactures all three of the main metal building components in house. Prime's highly skilled employees are proud to put their "made in the U.S.A." brand on each piece of steel that we fabricate. Once fabricated, Prime then ships your custom building directly to your job site, where the steel arrives ready to bolt together with a complete set of erection plans. From expert design to fabrication, Prime does it all for you!



"Keeping all of our manufacturing in house is a big plus for Prime. We are able to have our hands and eyes on every piece of material that comes through the door and every finished product that goes out the door."

- Chris Mosley, General Manager of Structural Fabrication



"We use state-of-the-art technology to manufacture PBR, PBU, 6V, Standing Seam, and Box Rib panels as well as custom made trim. At the end of the day, Prime provides a superior product for our customers."

- Luis Galindo, General Manager of Retail Branches



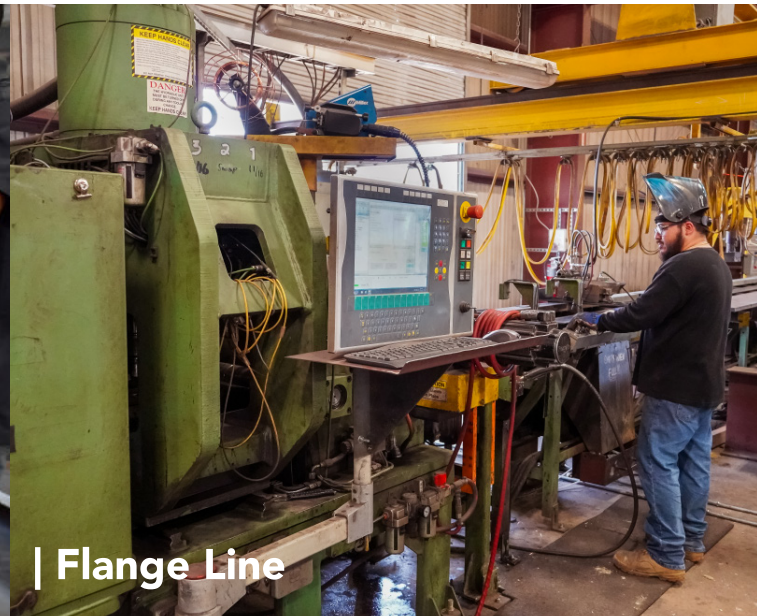
| Welders & Fitters



| In-house Purlin Lines



| Innovative Trim Break Technology



| Flange Line



| Roll Formers



| Semi-Automatic Pull Through Welder



| CNC Plasma Cutters



| Manufacturer Direct

WHAT MATTERS MOST IS UNDER YOUR **ROOF.**

Metal roofing has quickly become the number one choice for residential and commercial roofing. Prime metal roofing systems provide an aesthetically pleasing look, durability, longevity, and home energy savings. The metal roofing panels are easy to install and are tough enough to handle even the most extreme weather conditions. With a wide variety of panel profiles and color options to choose from, you can rest assured that Prime has exactly what you are looking for!

The Prime Roofing Advantage



40 YEAR WARRANTY

on Sherwin Williams Coil Coatings Colored Panels



25 YEAR WARRANTY

on Acrylic Coated Galvalume Panels



IMPACT RESISTANT

UL Class 4 Rating



FIRE RESISTANT

UL Class C Rating



CUSTOM TRIM CAPABILITIES

up to 32' (may vary based on branch location)



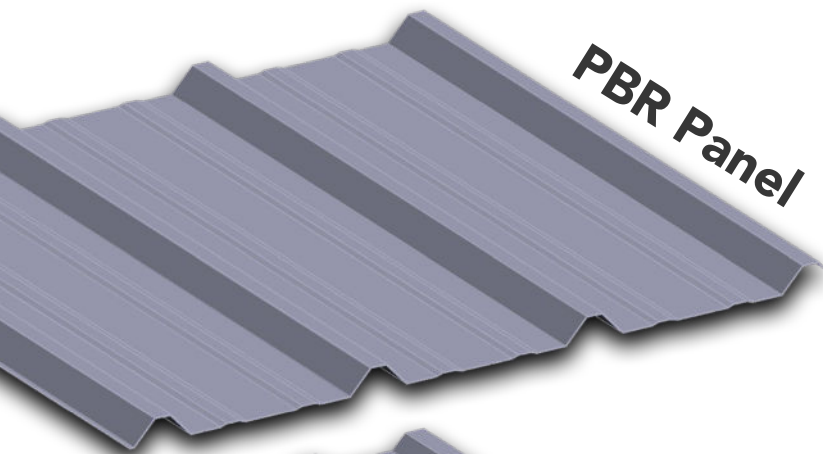
26-GAUGE STANDARD

on all roofing material

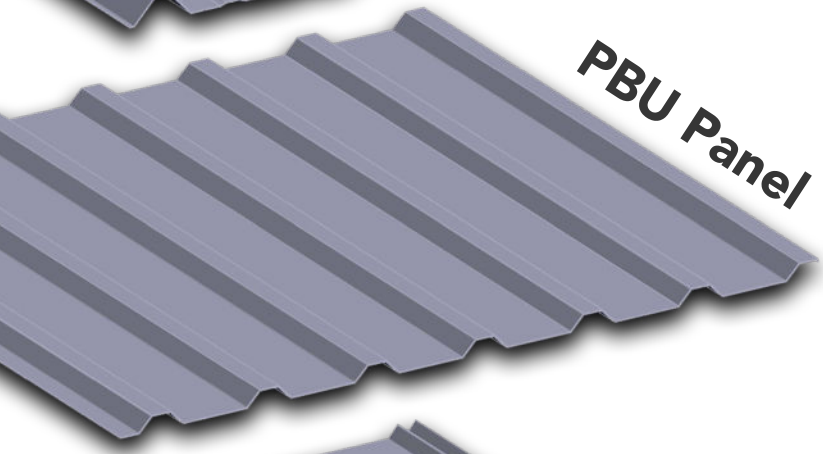
This place is great! Awesome service and delivered my roof materials on time. Professional quality and excellent customer service.

Wise Construction & Solar

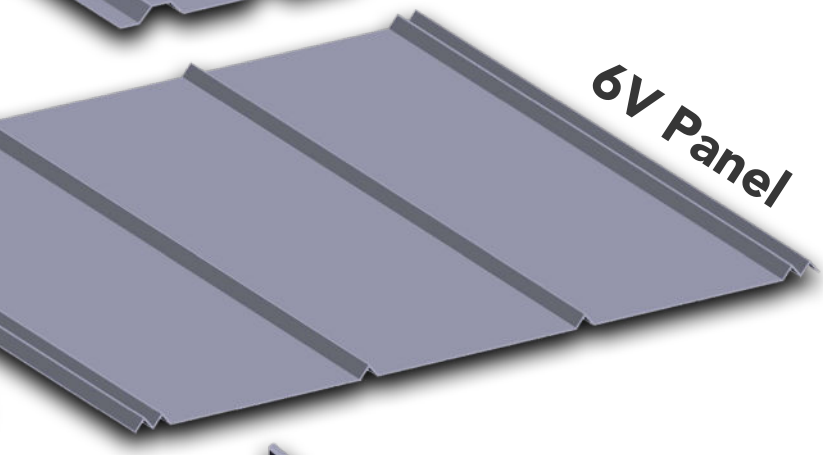




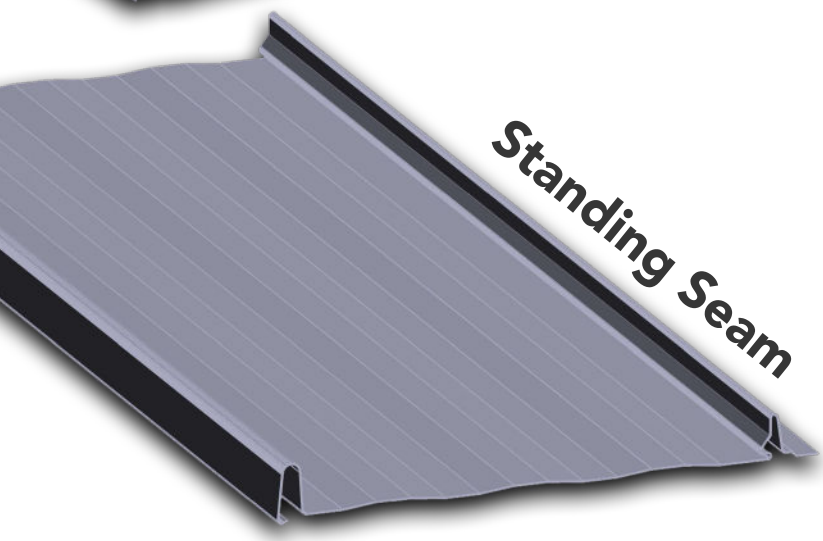
PBR Panel



PBU Panel



6V Panel



Standing Seam



| Commercial PBR Roof - Dark Blue



| Commercial Standing Seam - Black



| Standing Seam Roof - Medium Bronze



| 6V Roof - Galvalume



| Commercial PBR Roof - Galvalume w/Skylights



| PBR Roof - Galvalume



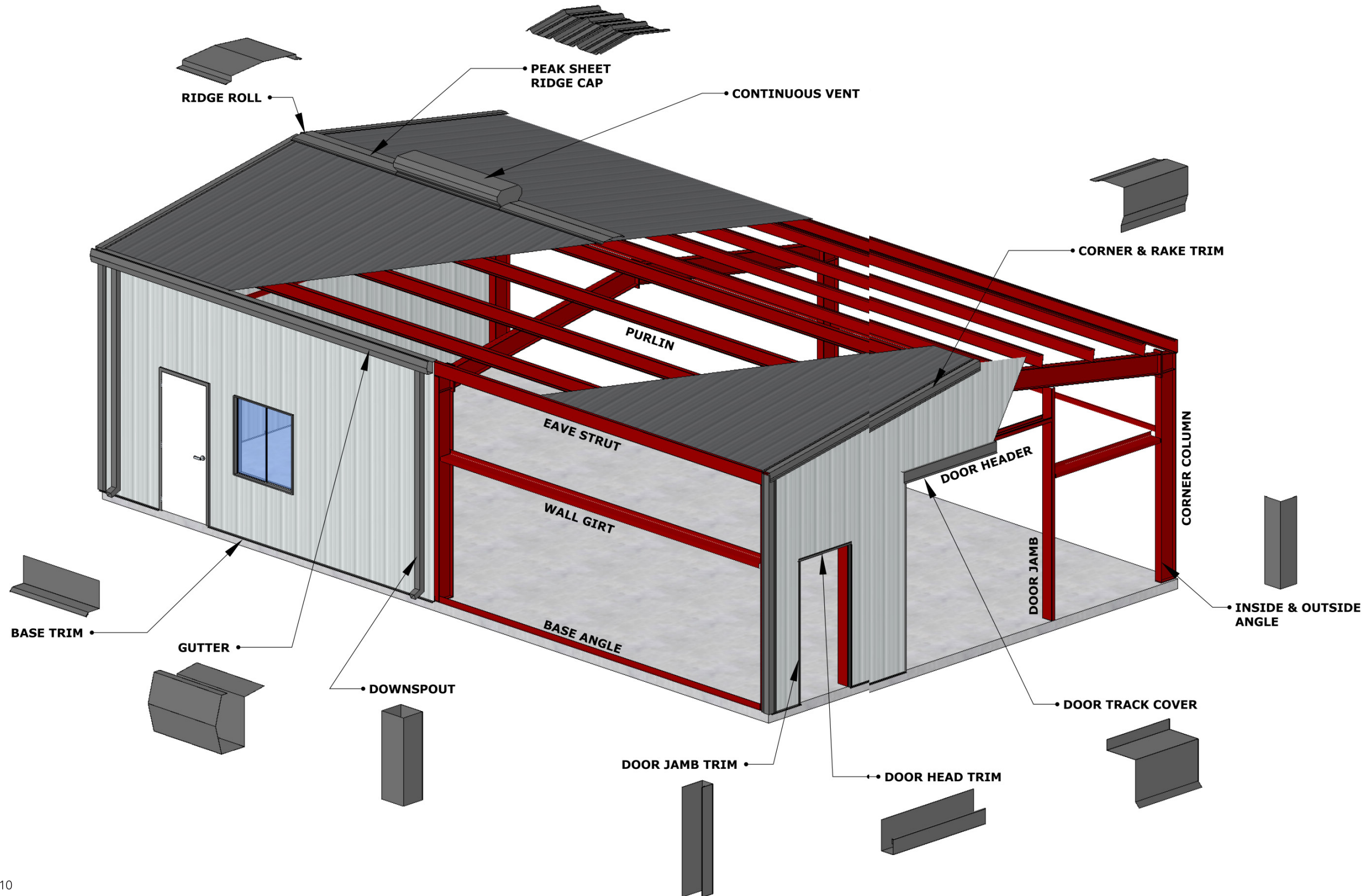
| PBR Roof - Copper

| PBR Roof - Koko Bown



Color Chart is located on inside back cover. Scan QR code to visit Prime's color selector tool.

MADE BY PRIME: COMPONENTS, PURLIN, & STRUCTURAL STEEL



Prime manufactures everything that goes into a metal building including roof panels, trim, wall panels, purlins, rafters, and columns. By keeping component and structural steel production in-house, we are able to offer the highest quality of products on the market. Our four Texas locations are well-stocked with a full inventory of metal building components, have custom trim capabilities, and can cut panels to length up to 32'.

The Prime Panel Advantage

-  **40 YEAR WARRANTY**
on Sherwin Williams Coil Coatings Colored Panels
-  **25 YEAR WARRANTY**
on Acrylic Coated Galvalume Panels
-  **IMPACT RESISTANT**
UL Class 4 Rating
-  **FIRE RESISTANT**
UL Class C Rating
-  **CUSTOM TRIM CAPABILITIES**
up to 32' (may vary based on branch location)
-  **26-GAUGE STANDARD**
on all roofing material

Prime offers a 24-hour turnaround on custom formed sheets and trim.

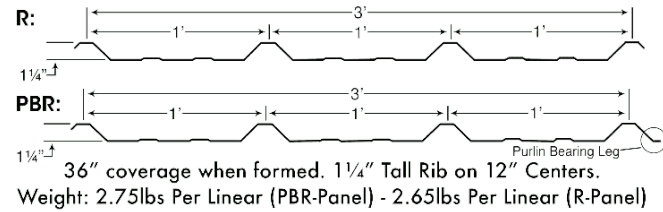
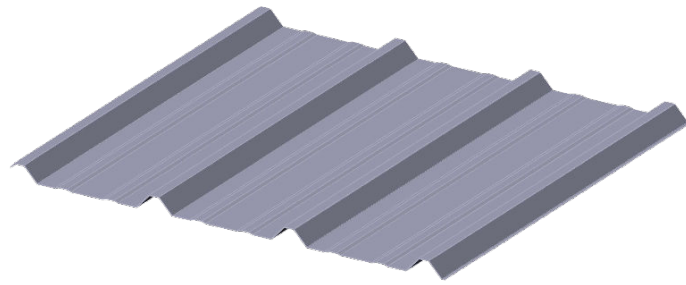


Branch locations in Dublin, Dumas, Bridgeport, and Kerrville, Texas.

Scan QR code to find a location near you.

>> SHEET METAL

Scan item QR codes for additional info and specs.



PBR & R Panel

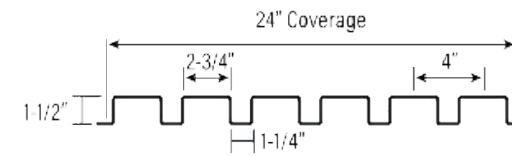
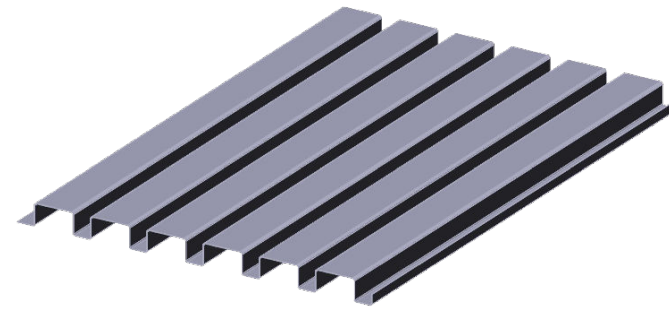
APPLICATION: Roofs, Walls, Fascias, Soffits

Prime's PBR & R panels provide 36" coverage and are a durable, cost-efficient roofing and/or wall systems. The purlin bearing leg, which is the only difference between the PBR & R panel, is designed to provide a more consistent panel alignment and fastener engagement. Available in our standard 26 gauge, the PBR & R panels are low-maintenance, impact-resistant, and offered in a variety of color options, making them an excellent choice for your next project.

COVERAGE WIDTHS: 36"
RIB SPACING: 12" centers
RIB HEIGHT: 1 1/4"
GAUGES: 26 (standard)
LENGTH: Custom cut to order
RATINGS: Impact Resistant - UL Class 4, Fire Resistant - UL Class C
WARRANTIES: 40 Year Sherwin Williams Coil Coatings Warranty on Painted Panels, 25 Year Warranty on Acrylic Coated Galvalume

BOX RIB PANELS

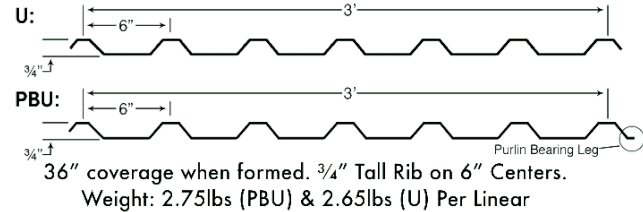
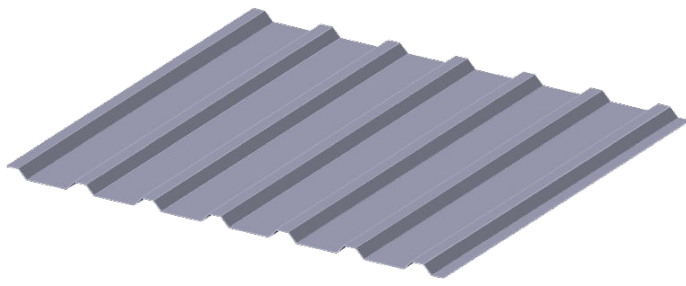
Prime's Box Rib Panels are an innovative and versatile panel option. The Box Rib panels can be installed vertically or horizontally and are ideal wall systems for commercial and residential uses. They offer bold visual lines that provide a modern and unique aspect to architectural designs. All box rib panel profiles are available in regular or reverse run. Available in 24 gauge or our standard 26 gauge, the Box Rib panel is low-maintenance, impact-resistant, and offered in a variety of color options including Kynar, making it an excellent choice for your next project.



BR-1 Panel

APPLICATION: Walls

COVERAGE WIDTHS: 24"
RIB SPACING: 4" centers
RIB WIDTH: 2 3/4"
RIB HEIGHT: 1 1/2"
GAUGES: 24 or 26 (standard)
LENGTH: Custom cut to order
WARRANTIES: 40 Year Sherwin Williams Coil Coatings Warranty on Painted Panels, 25 Year Warranty on Acrylic Coated Galvalume

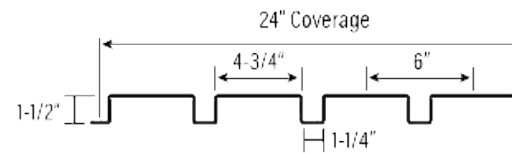
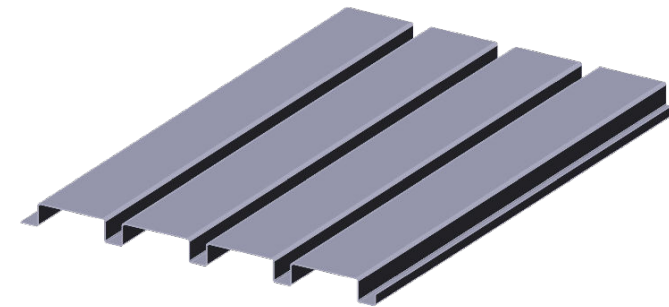


PBU & U Panel

APPLICATION: Roofs, Walls, Fascias, Soffits

Prime's PBU & U Panels provide 36" coverage and are a durable, cost-efficient roofing and/or wall systems. The purlin bearing leg, which is the only difference between the PBU & U panel, is designed to provide a more consistent panel alignment and fastener engagement. Available in our standard 26 gauge, the PBU & U Panels are low-maintenance, impact-resistant, and offered in a variety of color options, making them an excellent choice for your next project.

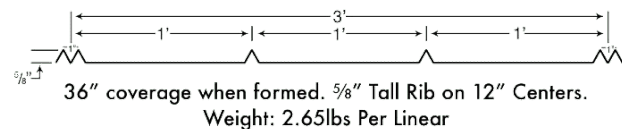
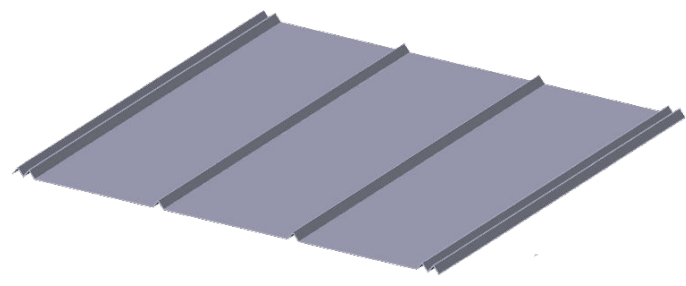
COVERAGE WIDTHS: 36"
RIB SPACING: 6" centers
RIB HEIGHT: 3/4"
GAUGES: 26 (standard)
LENGTH: Custom cut to order
RATINGS: Impact Resistant - UL Class 4, Fire Resistant - UL Class C
WARRANTIES: 40 Year Sherwin Williams Coil Coatings Warranty on Painted Panels, 25 Year Warranty on Acrylic Coated Galvalume



BR-2 Panel

APPLICATION: Walls

COVERAGE WIDTHS: 24"
RIB SPACING: 6" centers
RIB WIDTH: 4 3/4"
RIB HEIGHT: 1 1/2"
GAUGES: 24 or 26 (standard)
LENGTH: Custom cut to order
WARRANTIES: 40 Year Sherwin Williams Coil Coatings Warranty on Painted Panels, 25 Year Warranty on Acrylic Coated Galvalume

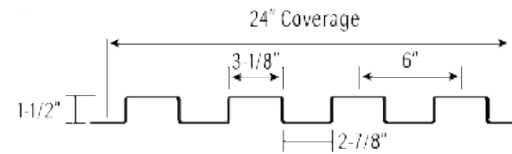
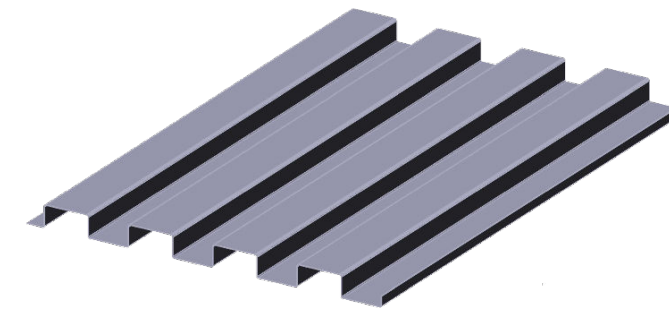


6V Panel

APPLICATION: Roofs, Walls, Fascias, Soffits

Prime's 6V Panel provides 36" coverage and is a durable, stylish roofing and/or soffit material. Available in our standard 26 gauge, the 6V panel is low-maintenance, impact-resistant, and offered in a variety of color options, making it an excellent choice for your next project.

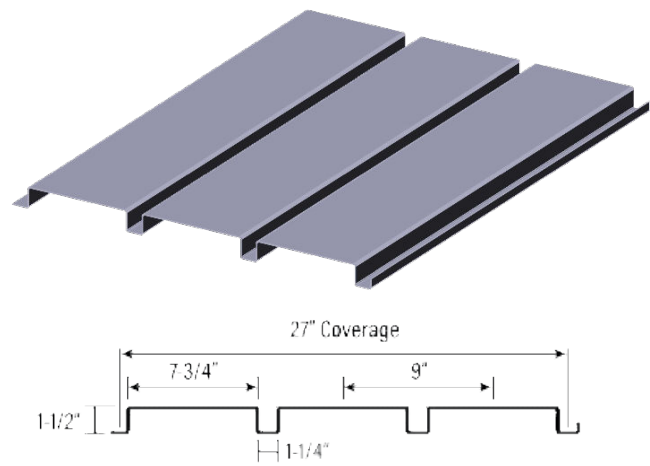
COVERAGE WIDTHS: 36"
RIB SPACING: 12" centers
RIB HEIGHT: 5/8"
GAUGES: 26 (standard)
LENGTH: Custom cut to order
RATINGS: Impact Resistant - UL Class 4, Fire Resistant - UL Class C
WARRANTIES: 40 Year Sherwin Williams Coil Coatings Warranty on Painted Panels, 25 Year Warranty on Acrylic Coated Galvalume



BR-3 Panel

APPLICATION: Walls

COVERAGE WIDTHS: 24"
RIB SPACING: 6" centers
RIB WIDTH: 3 1/8"
RIB HEIGHT: 1 1/2"
GAUGES: 24 or 26 (standard)
LENGTH: Custom cut to order
WARRANTIES: 40 Year Sherwin Williams Coil Coatings Warranty on Painted Panels, 25 Year Warranty on Acrylic Coated Galvalume

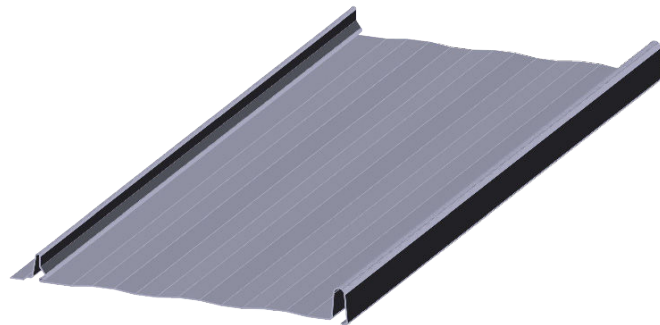


BR-4 Panel

APPLICATION: Walls

COVERAGE WIDTHS: 27"
RIB SPACING: 9" centers
RIB WIDTH: 7 3/4"
RIB HEIGHT: 1 1/2"
GAUGES: 24 or 26 (standard)
LENGTH: Custom cut to order
WARRANTIES: 40 Year Sherwin Williams Coil Coatings Warranty on Painted Panels, 25 Year Warranty on Acrylic Coated Galvalume

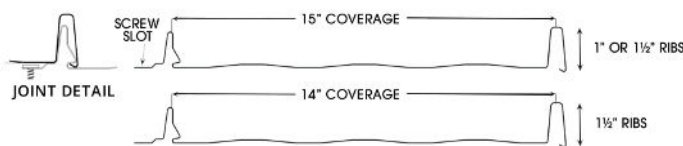
STANDING SEAM PANELS



PSL Standing Seam Panel

APPLICATION: Roofs

Our Prime Strip Lock (PSL) Standing Seam Panels are our innovative take on the standard standing seam panel. The PSL is a nail-down concealed fastener roofing system. The PSL provides 14" or 15" coverage. The 15" coverage option is available with 1" or 1 1/2" rib height. The rib height of the 14" coverage option is 1 1/2". The standard for our PSL panel is 26 gauge however they can be ordered in 24 gauge as well. These panels are low-maintenance, impact-resistant, and are offered in a variety of color options including Kynar, making the PSL an excellent choice for your next project. No field seaming is required to install.



COVERAGE WIDTHS: 14" or 15"
RIB SPACING: 14" or 15" centers
RIB HEIGHT: 1" or 1 1/2"
GAUGES: 24 or 26 (standard)
LENGTH: Custom cut to order
RATINGS: Impact Resistant - UL Class 4, Fire Resistant - UL Class C
WARRANTIES: 40 Year Sherwin Williams Coil Coatings Warranty on Painted Panels, 25 Year Warranty on Acrylic Coated Galvalume

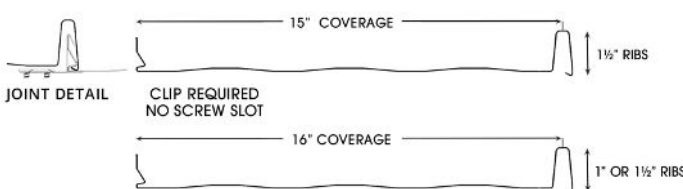
**Standard comes with striations to prevent oil canning or can be ran without striations by customer request*



PCL Standing Seam Panel

APPLICATION: Roofs

Our Prime Strip Lock (PSL) Standing Seam Panels are our innovative take on the standard standing seam panel. The PSL is a nail-down concealed fastener roofing system. The PSL provides 14" or 15" coverage. The 15" coverage option is available with 1" or 1 1/2" rib height. The rib height of the 14" coverage option is 1 1/2". The standard for our PSL panel is 26 gauge however they can be ordered in 24 gauge as well. These panels are low-maintenance, impact-resistant, and are offered in a variety of color options including Kynar, making the PSL an excellent choice for your next project. No field seaming is required to install.



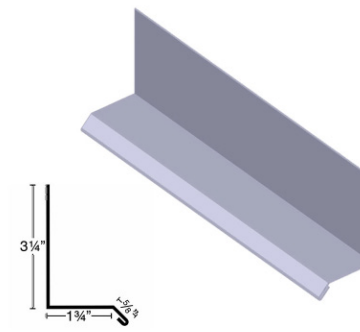
COVERAGE WIDTHS: 15" or 16"
RIB SPACING: 15" or 16"
RIB HEIGHT: 1" or 1 1/2"
GAUGES: 24 or 26 (standard)
LENGTH: Custom cut to order
RATINGS: Impact Resistant - UL Class 4, Fire Resistant - UL Class C
WARRANTIES: 40 Year Sherwin Williams Coil Coatings Warranty on Painted Panels, 25 Year Warranty on Acrylic Coated Galvalume

**Standard comes with striations to prevent oil canning or can be ran without striations by customer request*

>> TRIM & GUTTERS

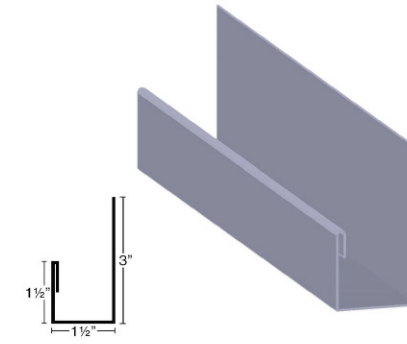
Prime offers:

- Custom trim capabilities up to 32' lengths (may vary based on store location)
- 24-hour turnaround on custom-formed sheets and trim
- High-speed roll formers and trim brakes at all branches to provide on-demand production for sheet metal products



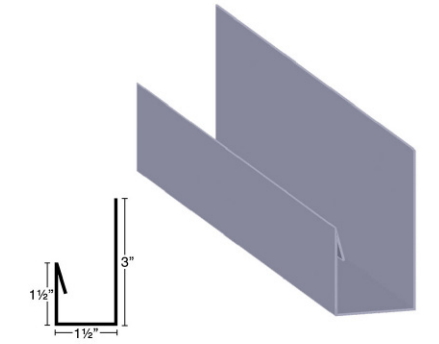
Base Trim

Scan QR code for additional info and specs.



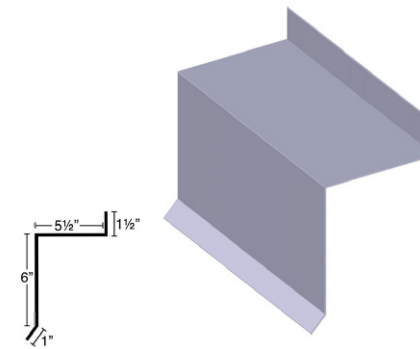
Door Head Trim

Scan QR code for additional info and specs.



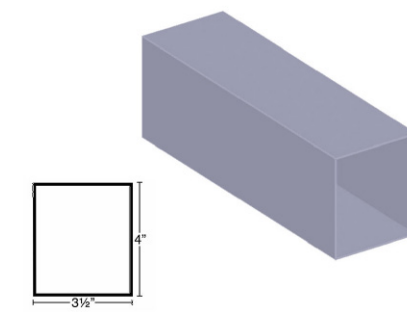
Door Jamb Trim

Scan QR code for additional info and specs.



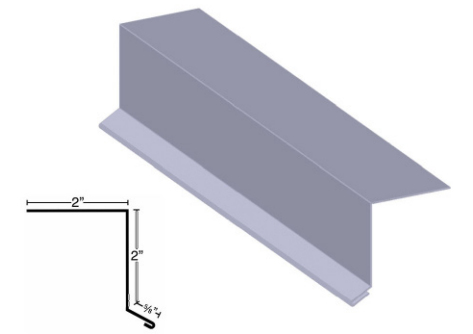
Door Track Cover

Scan QR code for additional info and specs.



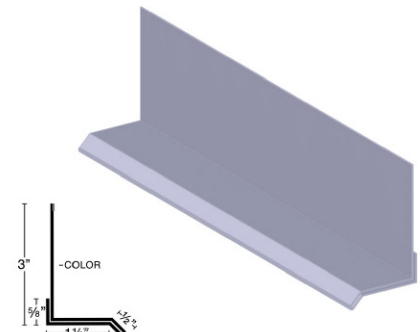
Downspout

Scan QR code for additional info and specs.



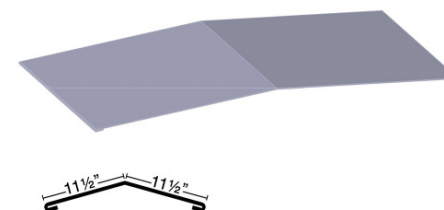
Drip Edge

Scan QR code for additional info and specs.



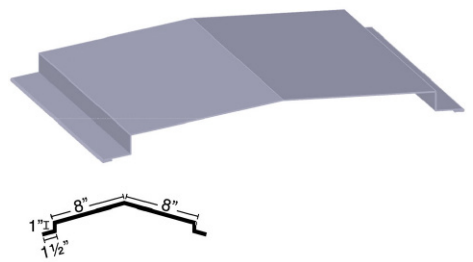
Drip Trim

Scan QR code for additional info and specs.



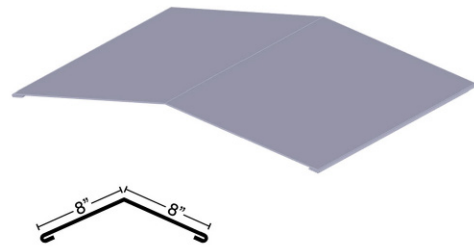
Flat Ridge Roll


Scan QR code for additional info and specs.

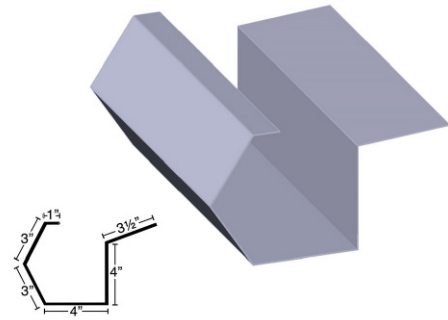



Hat Ridge Roll

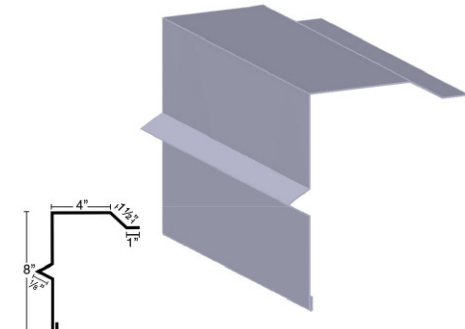
Scan QR code for additional info and specs.




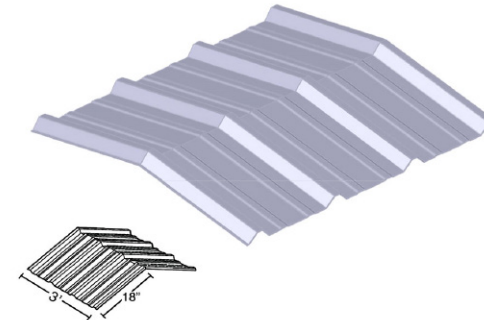
 | **Hip Trim**
Scan QR code for additional info and specs.




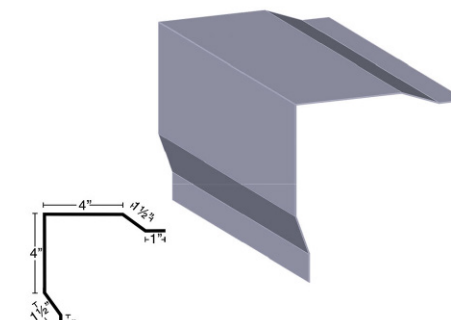
 | **House Gutter**
Scan QR code for additional info and specs.




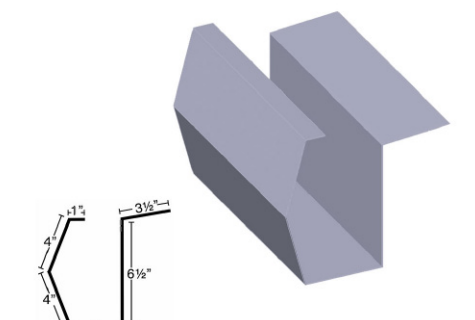
 | **House Rake V-Trim**
Scan QR code for additional info and specs.




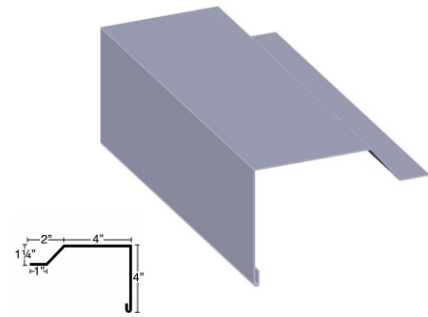
 | **Peak Sheet/Ridge Cap**
Scan QR code for additional info and specs.




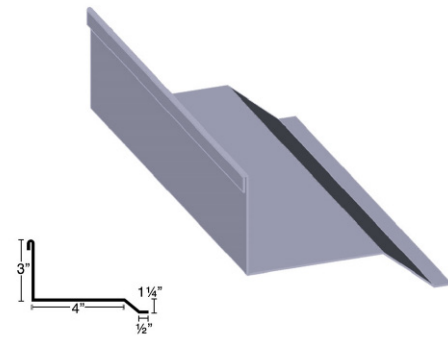
 | **Rake & Corner**
Scan QR code for additional info and specs.




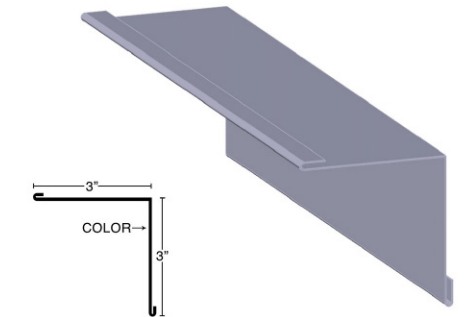
 | **Sculptured Eave Gutter**
Scan QR code for additional info and specs.




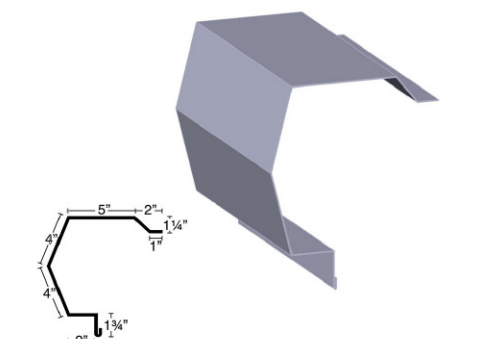
 | **House Rake Roof**
Scan QR code for additional info and specs.




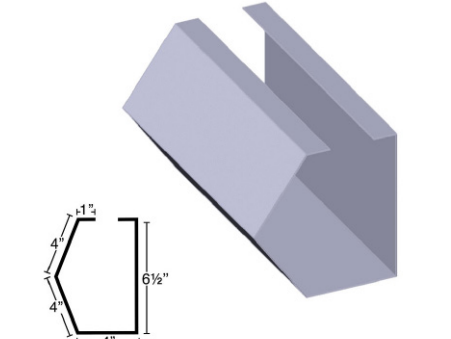
 | **House Roof Transition**
Scan QR code for additional info and specs.



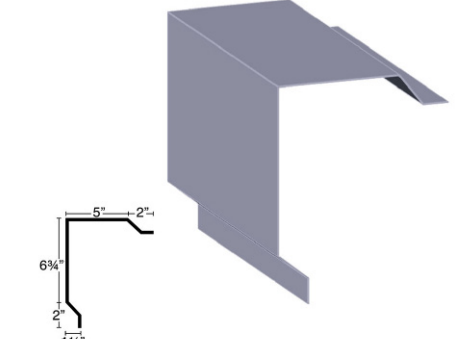
 | **Inside Angle**
Scan QR code for additional info and specs.




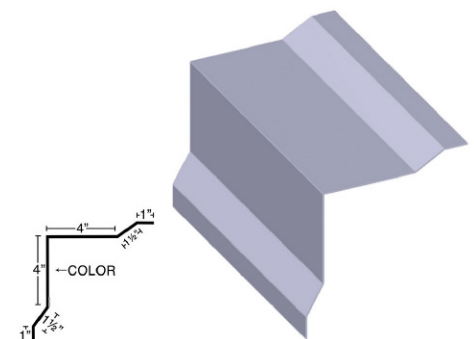
 | **Sculptured Rake Trim**
Scan QR code for additional info and specs.




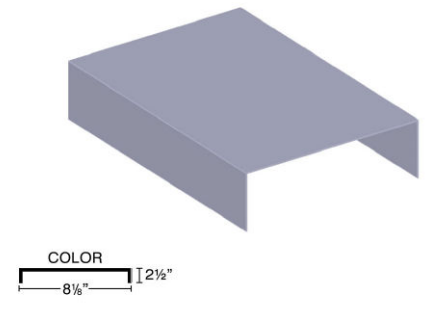
 | **Utility Gutter**
Scan QR code for additional info and specs.




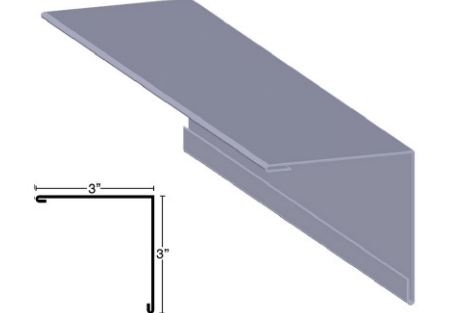
 | **Utility Rake & Corner**
Scan QR code for additional info and specs.



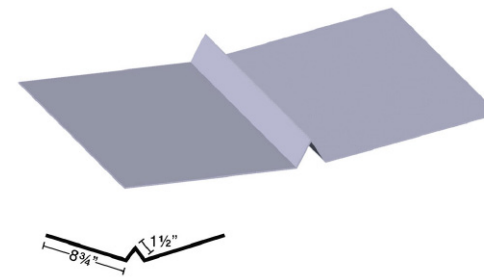
 | **Inside Rake**
Scan QR code for additional info and specs.




 | **Jamb Cover**
Scan QR code for additional info and specs.



 | **Outside Angle**
Scan QR code for additional info and specs.

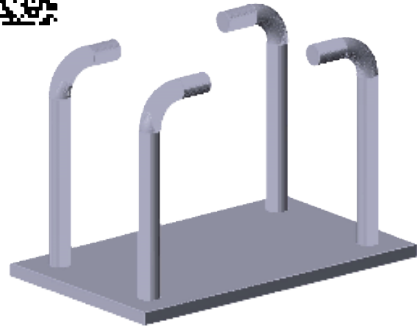


 | **Valley Flashing**
Scan QR code for additional info and specs.

>> STRUCTURAL STEEL

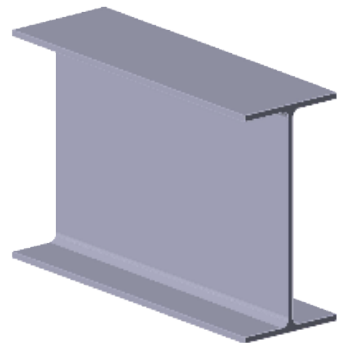
Scan item QR codes for additional info and specs.

Anchor Plates



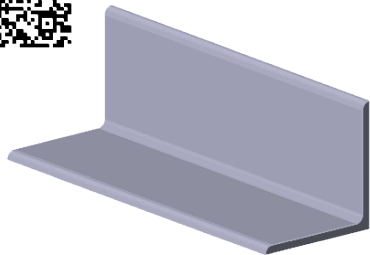
Size	Gauge	Finish
6 x 6	3/8"	Unprimed

Beams



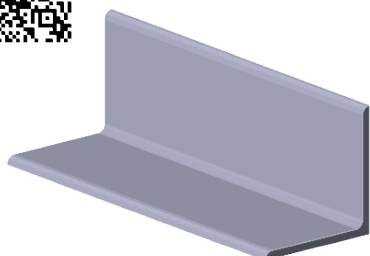
Size
6 x 9
8 x 10
10 x 12
12 x 14

Base Angle Iron



Size	Gauge	Finish	Length
2 x 2	14	Galvanized	20'
2 x 2	14	Red Oxide	20'

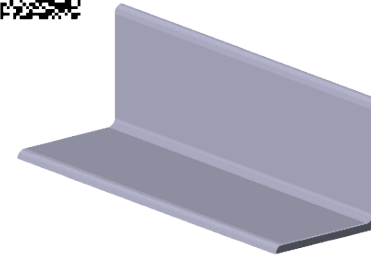
Rake Angle Iron



Size	Gauge	Finish	Length
2 x 4	14	Galvanized	20'
2 x 4	14	Red Oxide	20'
2 x 4	14	Red Oxide	25'



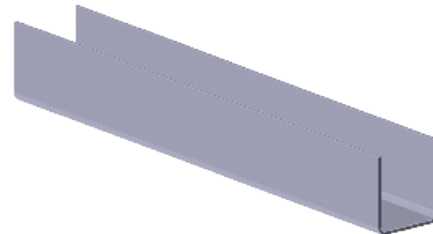
Structural Angle Iron



Size	Gauge	Finish	Length
1 x 1	1/8"	Unprimed	20'
1 x 1	3/16"	Unprimed	20'
1 1/2 x 1 1/2	1/4"	Unprimed	20'
1 1/2 x 1 1/2	1/8"	Unprimed	20'
1 1/2 x 1 1/2	3/16"	Unprimed	20'
2 x 2	1/4"	Unprimed	20'
2 x 2	1/8"	Unprimed	20'
2 x 2	3/16"	Unprimed	20'
2 x 3	3/16"	Unprimed	20'
3 x 3	1/4"	Unprimed	20'
3 x 3	3/16"	Unprimed	20'
4 x 4	1/4"	Unprimed	20'



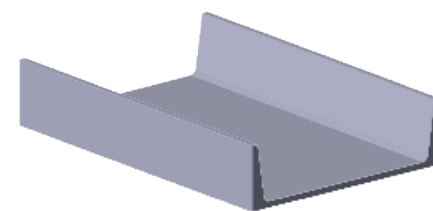
Stall Channel Iron



Size	Finish	Length
1 3/4 x 1 3/4	Unprimed	12'



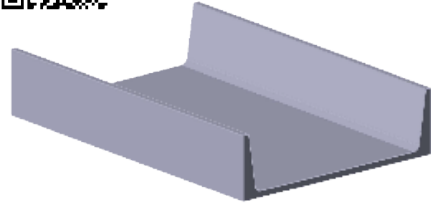
Channel Iron



Size	Finish	Length
4" 5.4 lbs/ft	Unprimed	20'
6" 8.2 lbs/ft	Unprimed	20'
8" 11.5 lbs/ft	Unprimed	20'



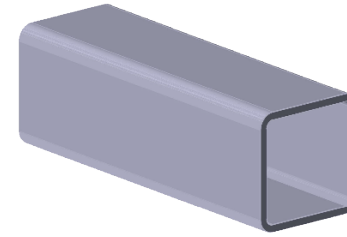
Receiver Channel Iron



Size	Gauge	Finish	Length
4"	14	Red Oxide	20'
6"	14	Red Oxide	20'
8"	14	Red Oxide	20'
8"	14	Red Oxide	25'
8"	14	Red Oxide	30'
8"	14	Galvanized	30'



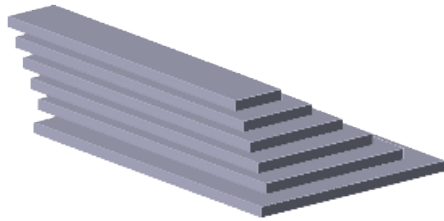
Square Tubing



Size	Gauge	Finish	Length
½ x ½	16	Red Oxide	24'
¾ x ¾	14	Red Oxide	24'
1 x 1	14	Red Oxide	20' or 24'
1 ¼ x 1 ¼	14	Red Oxide	20' or 24'
1 ½ x 1 ½	11	Red Oxide	20'
1 ½ x 1 ½	14	Red Oxide	20' or 24'
2 x 2	11	Red Oxide	20' or 24'
2 x 2	14	Red Oxide	20', 24', or 30'
3 x 3	11	Red Oxide	20', 24', or 30'
3 x 3	14	Red Oxide	20', 24', or 30'
3 x 3	3/16"	Red Oxide	20', 24', or 30'
4 x 4	11	Red Oxide	20', 24', or 30'
4 x 4	14	Red Oxide	20', 24', or 30'
4 x 4	3/16"	Unprimed	20' or 24'
4 x 4	¼"	Unprimed	20' or 24'



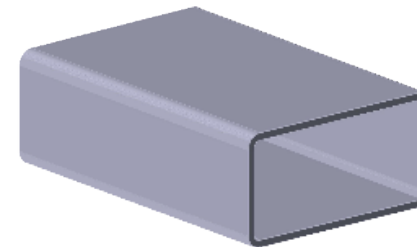
Flat Bar



Size	Gauge	Finish	Length
1 ½"	1/8"	Unprimed	20'
1"	1/8"	Unprimed	20'
2"	1/8"	Unprimed	20'
6"	1/8"	Unprimed	20'
2"	3/16"	Unprimed	20'
3"	3/16"	Unprimed	20'
4"	3/16"	Unprimed	20'
6"	3/16"	Unprimed	20'
4"	¼"	Unprimed	20'
6"	¼"	Unprimed	20'



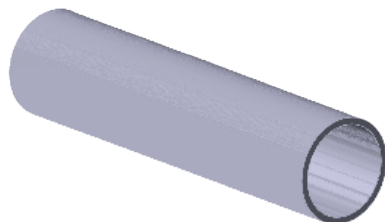
Rectangular Tubing



Size	Gauge	Finish	Length
1 x 2	14	Red Oxide	20' or 24'
1 ½ x 3	14	Red Oxide	20' or 24'
2 x 3	14	Red Oxide	20' or 24'
2 x 4	14	Red Oxide	20' or 24'
2 x 6	11	Red Oxide	20' or 24'
2 x 6	14	Red Oxide	20' or 24'



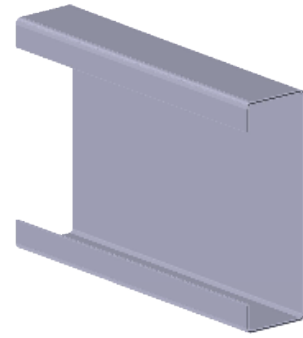
Pipe



Size	Length	Finish
2 3/8"	21' or 32'	Unprimed
2 7/8"	21' or 32'	Unprimed



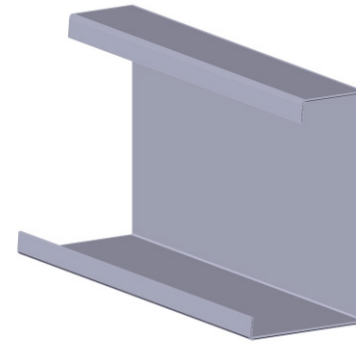
C Purlins



Size	Gauge	Finish	Length
1 ½ x 3	14	Red Oxide	20"
1 ½ x 4	14	Red Oxide	20', 25', or 30'
2 x 4	14	Red Oxide	20', 25', or 30'
2 x 6	14	Galvanized	20'
2 x 6	14	Red Oxide	20', 25', or 30'
2 ½ x 8	14	Galvanized	20', 25', or 30'
2 ½ x 8	14	Red Oxide	20', 25', or 30'
2 ¾ x 10	14	Galvanized	30'
2 ¾ x 10	14	Red Oxide	20'



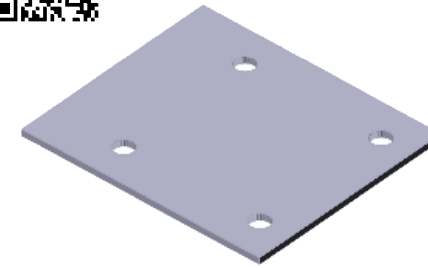
Eave Strut



Size	Length	Finish	Gauge	Pitch
6"	20'	Red Oxide	14	4:12
6"	20'	Red Oxide	14	6:12
8"	25'	Red Oxide	14	4:12
8"	25'	Galvanized	14	6:12



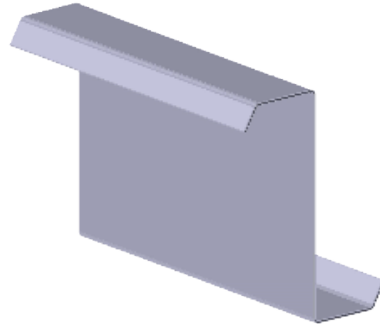
Purlin Clips



Size	Gauge	Finish
3 x 5	1/8"	Unprimed
5 x 7	3/16"	Unprimed



Z Purlins



Size	Gauge	Finish	Length
1 ½ x 3	14	Red Oxide	20"
1 ½ x 4	14	Red Oxide	20', 25', or 30'
2 x 4	14	Red Oxide	20', 25', or 30'
2 x 6	14	Galvanized	20'
2 x 6	14	Red Oxide	20', 25', or 30'
2 ½ x 8	14	Galvanized	20', 25', or 30'
2 ½ x 8	14	Red Oxide	20', 25', or 30'
2 ¾ x 10	14	Galvanized	30'
2 ¾ x 10	14	Red Oxide	20'



Access Doors



Size	Depth	Bore	Description
3070	4", 6" or 8"	1 or 2	Full Door Kit (Leaf, Jamb, Lock, Hinges)
4070	4", 6" or 8"	1 or 2	Full Door Kit (Leaf, Jamb, Lock, Hinges)
6070	4", 6" or 8"	1 or 2	Full Double Door Kit (Leaf, Jamb, Lock, Hinges)
3070	4", 6" or 8"	1 or 2	Leaf Only
4070	4", 6" or 8"	1 or 2	Leaf Only
6070	4", 6" or 8"	1 or 2	Leaf Only
3070	4", 6" or 8"	1 or 2	Frame & Accessories (Jamb, Lock, Hinges)
4070	4", 6" or 8"	1 or 2	Frame & Accessories (Jamb, Lock, Hinges)
6070	14", 6" or 8"	1 or 2	Frame & Accessories (Jamb, Lock, Hinges)



Roll Up Doors



Size	Description
4' 7'	Mini Door
8' x 8'	Mini Door
10' x 10'	Commercial Roll Up
10' x 12'	Commercial Roll Up
12' x 10'	Commercial Roll Up
12' x 12'	Commercial Roll Up
12' x 14'	Commercial Roll Up
14' x 12'	Commercial Roll Up
14' x 14'	Commercial Roll Up



Sliding Door Supports



Size	Description
10'	Door Track System
12'	Door Track System



Lever Locks



Deadbolt Locks



Knob Locks

>> SCREWS, ANCHORS, RIVETS

Scan item QR codes for additional info and specs.

QR | Goof Screws



Length	Finish
1"	Galvanized
1 1/2"	Galvanized

QR | Hammer-Drive Anchor



Diameter	Length	Finish
1/8"	1 1/2"	Painted

QR | TEK Metal Screws



Length	Finish
3/4"	Painted or Galvanized
1 1/4"	Painted or Galvanized

QR | Trailer Screws



Length	Finish
1 5/8"	Galvanized
2"	Galvanized
2 1/2"	Galvanized

QR | Impaxx Beam



Length	Finish
1 1/4"	Galvanized
1 1/2"	Galvanized
2"	Galvanized
3 1/4"	Galvanized

QR | Long Life Woodgrip Screw



Length	Finish
1"	Painted or Galvanized
1 1/2"	Painted or Galvanized
2"	Painted or Galvanized
3"	Galvanized

QR | Wedge Anchor



Diameter	Length	Finish
1/2"	3 1/4"	Galvanized
1/2"	3 1/4"	Galvanized
3/8"	3 1/4"	Galvanized
3/8"	3 1/4"	Galvanized

QR | Rivets



Diameter	Length	Finish
1/8"	1 1/2"	Painted

QR | TEK Lap Screw



Length	Finish
7/8"	Painted or Galvanized

PRIME
Metal Buildings & Components

National Sales Office

Main location for pre-engineered metal building design, sales, and project management

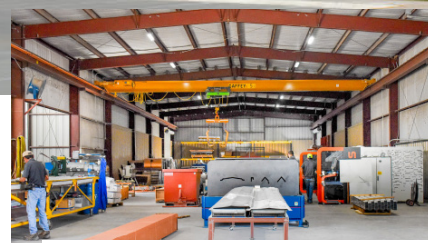
16134 S US Highway 377
Dublin, TX 76446

Monday-Friday
8:00am - 5:00pm

(254) 445-4462
(Se Habla Español)

Toll Free: (877) 746-3253

info@primebldg.com



Get a fast,
FREE quote!



Give us a call or scan the QR code to request a quote.

Retail Branches

Come visit us at one of our four Texas locations.



DUBLIN

19320 S US Highway 377
Dublin, TX 76446
(254) 445-3416



BRIDGEPORT

1509 US Highway 380
Bridgeport, TX 76426
(940) 683-9040



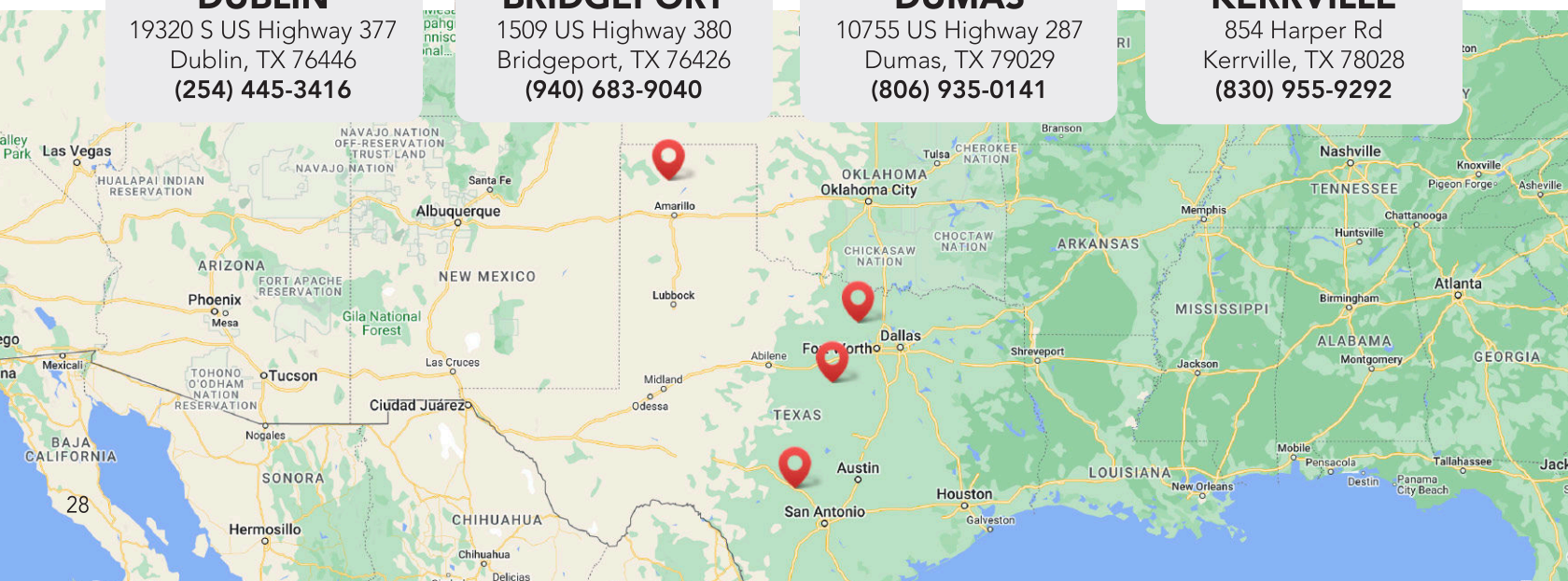
DUMAS

10755 US Highway 287
Dumas, TX 79029
(806) 935-0141

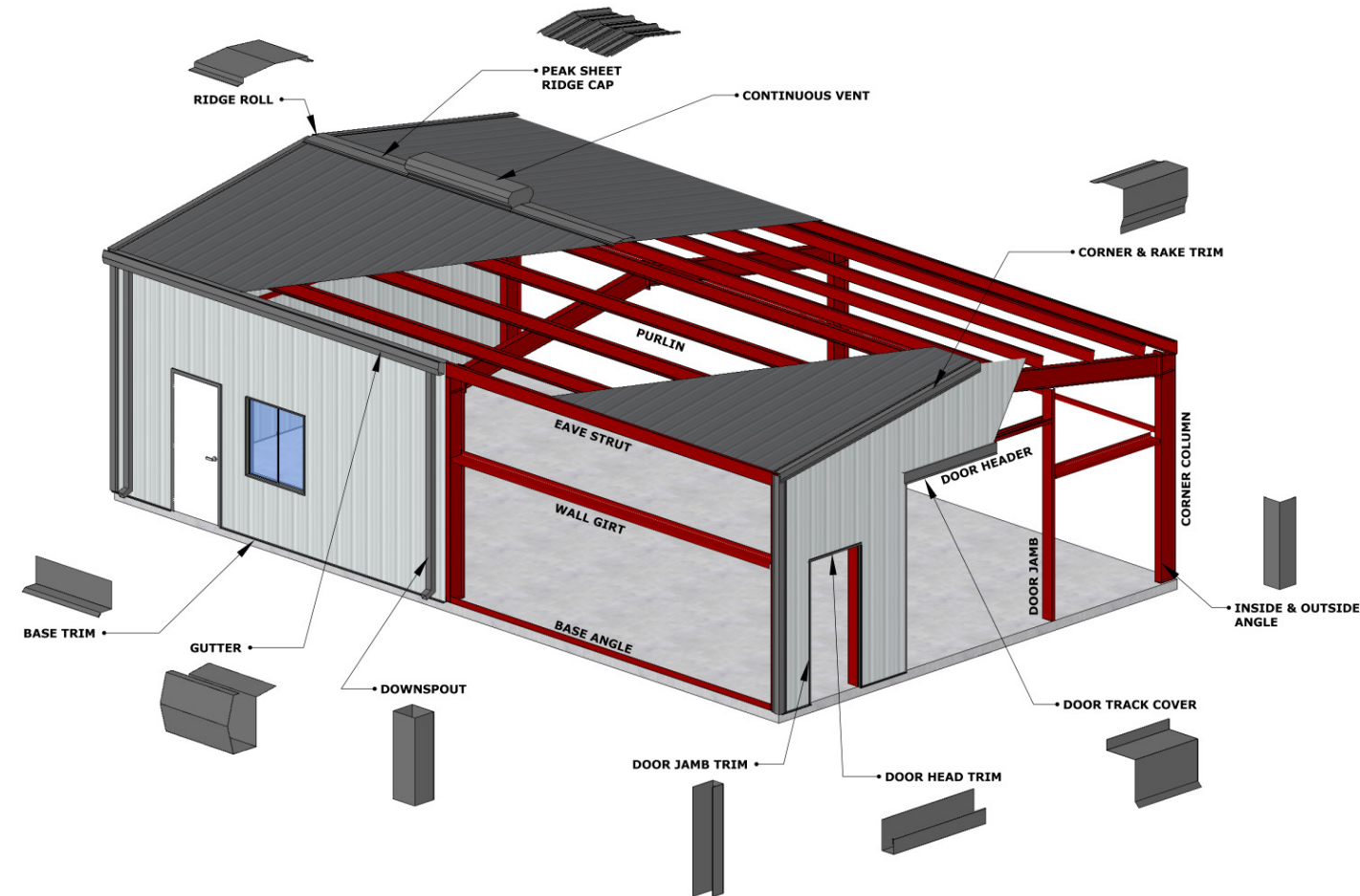


KERRVILLE

854 Harper Rd
Kerrville, TX 78028
(830) 955-9292



>> ORDERING POLICY



Effective October 01, 2021

At Prime, we strive for quality and excellent customer service. Our policies are standard practice in our industry and have been constructed to help us run our business efficiently and successfully.

Prices and Specifications - Prices and/or specifications in this catalog are subject to change without notice. Due to market fluctuation, quoted prices are valid for a limited time only. Payments made on a sales order may hold pricing for 30 days max, after the 30 days applicable price increases may incur. Please call or visit one of our locations for current prices.

Order Policy - All orders are final and must be paid in full at the time of pick up or for production to begin. Charge customers must have an available credit balance to cover order(s) before it can be picked up or for production to begin.

Storage Policy - Because of limited storage space, Prime Metal Buildings & Components, LLC will store custom fabricated material for 30 days. After this, notice will be sent that material must be either picked up or delivered within 10 days. It is the customer's responsibility to notify Prime with their pickup or delivery intentions. If there is no response within the 10-day window, your order and payment will be forfeited and/or a restocking charge imposed.

Returns - All returned items are subject to a standard restocking

fee of 25%. All returns must be accompanied with an invoice that is no older than 30 days. The item(s) must be inspected, and in resalable condition determined by Prime management. If the items are not in resalable condition, they have no return value. Approved returns will be refunded in the form of a check paid to the customer's name on file and mailed to their address on file. Prime reserves the right to exclude items from being returned. All special trim will have no return value. Standard trim will have reject value only unless special circumstances apply. Special ordered items will be returned only at Prime Building Components, LLC discretion.

Terms & Conditions - Payment on a Sales Order or Invoice indicates that the buyer has reviewed and accepted it to be accurate. All custom orders and special trim have no return value. Approved return items are subject to a 25% restocking fee. An invoice must accompany all authorized returns. Manufactured orders cannot be canceled for credit after production has begun. Orders not picked up or delivered within 30 days of order completion will incur additional storage fees or may be forfeited, see storage policy for details. Prime takes every precaution to prepare your material in #1 condition. Please report any damage at the time of pick-up or delivery. Prime is not responsible for any storage or handling damage to material after pick-up or delivery. Prime reserves the right to enforce these terms and conditions along with all store policies at any time.



WWW.PRIMEBLDG.COM

CORPORATE
(254) 445-4462

DUBLIN, TX
(254) 445-3416

DUMAS, TX
(806) 935-0141

BRIDGEPORT, TX
(940) 683-9040

KERRVILLE, TX
(830) 955-9292

Lined writing area with a vertical margin line on the left side.



WWW.PRIMEBLDG.COM

CORPORATE
(254) 445-4462

DUBLIN, TX
(254) 445-3416

DUMAS, TX
(806) 935-0141

BRIDGEPORT, TX
(940) 683-9040

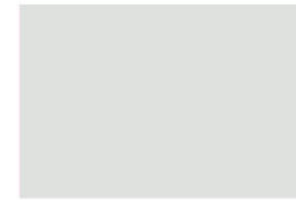
KERRVILLE, TX
(830) 955-9292

Grid writing area.

PRIME

Metal Buildings & Components

WWW.PRIMEBLDG.COM



POLAR WHITE



ASH GRAY



CHARCOAL GRAY



BLACK



HAWAIIAN BLUE



DARK BLUE



COLONY GREEN



HUNTER GREEN



FERN GREEN



CRIMSON RED



RUSTIC RED



BERRY



LIGHT STONE



SAHARA TAN



DESERT SAND



KOKO BROWN



BURNISHED SLATE



COPPER METALLIC



GALVALUME



GALVANIZED

Above colors are matched as closely as possible. Exact color match should be made from metal chip samples.



PROUDLY FINISHED WITH
SHERWIN-WILLIAMS
Coil Coatings



When you need more than a metal building,
YOU NEED PRIME.

IT'S PRIME TIME.

WWW.PRIMEBLDG.COM

DUBLIN, TX

19320 US Highway 377
Dublin, TX 76446
(254) 445-3416

BRIDGEPORT, TX

1509 US Highway 380
Bridgeport, TX 76426
(940) 683-9040

DUMAS, TX

10755 US Highway 287
Dumas, TX 79029
(806) 935-1041

KERRVILLE, TX

854 Harper Rd
Kerrville, TX 78028
(830) 955-9292