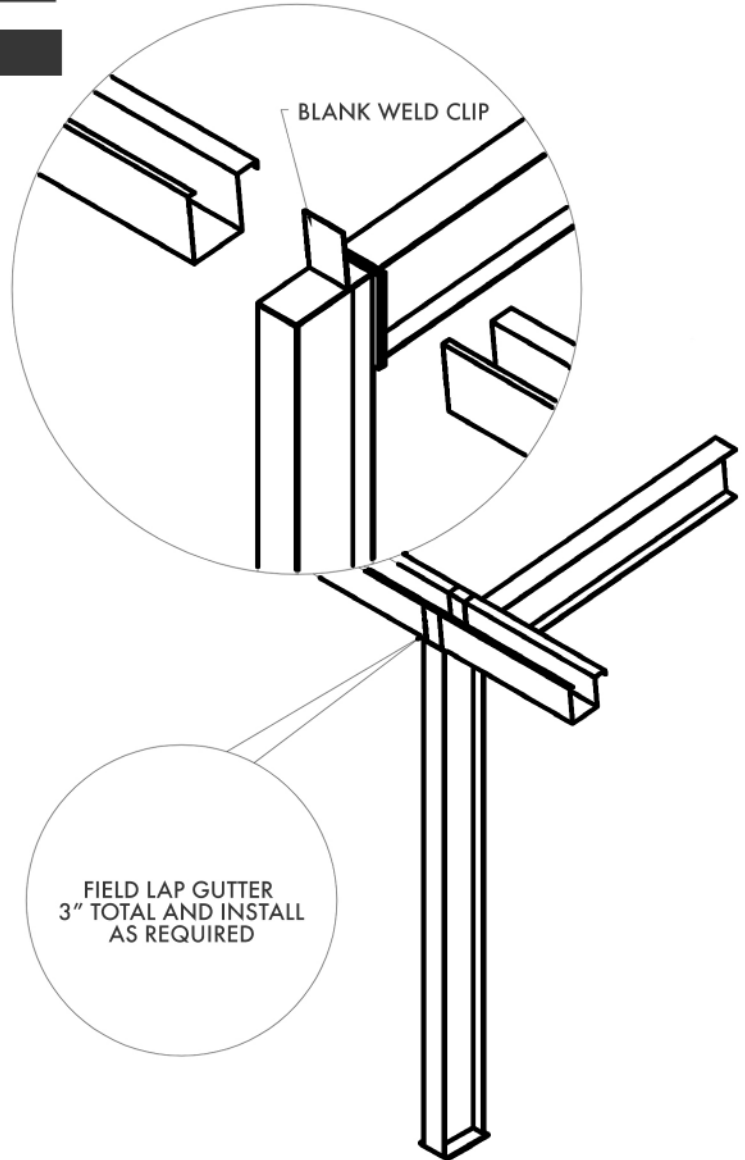
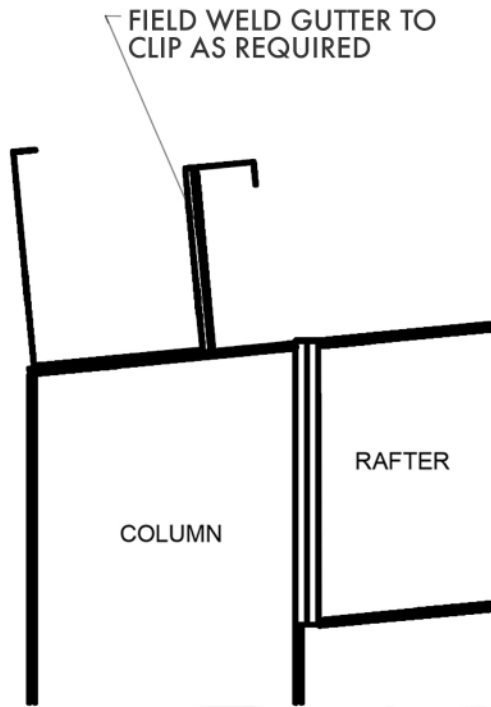


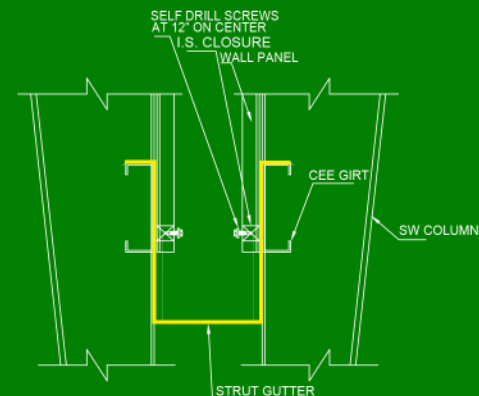
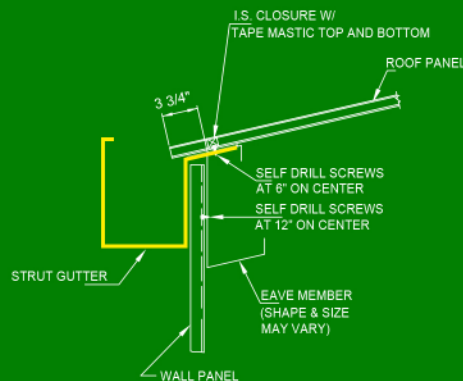
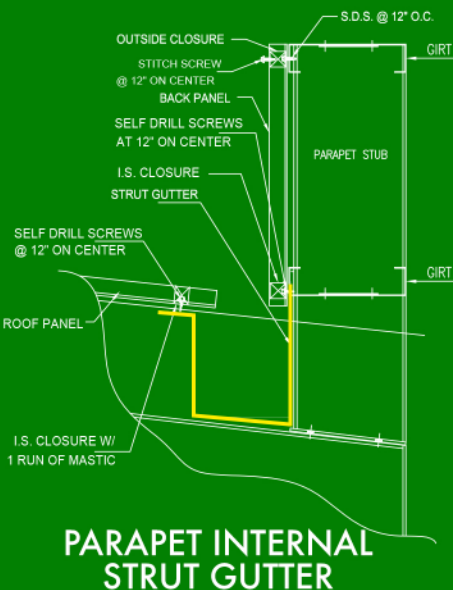
PRIME

STRUT GUTTER APPLICATION

STANDARD APPLICATION



OTHER PRODUCT USES & PROFILES:





DUBLIN, TX
(254) 445-3416

BRIDGEPORT, TX
(940) 683-9040

DUMAS, TX
(806) 935-0141

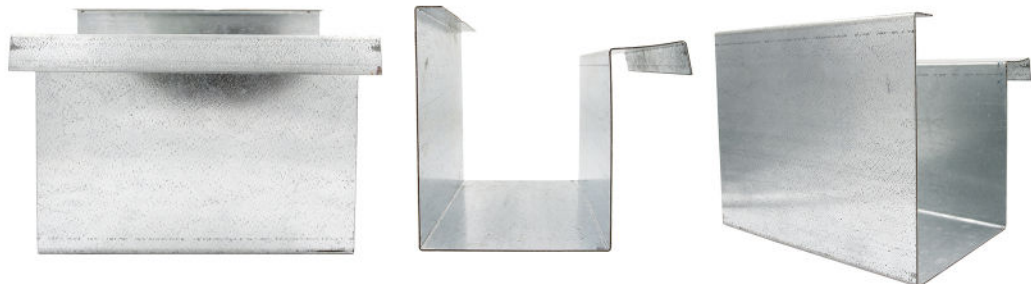
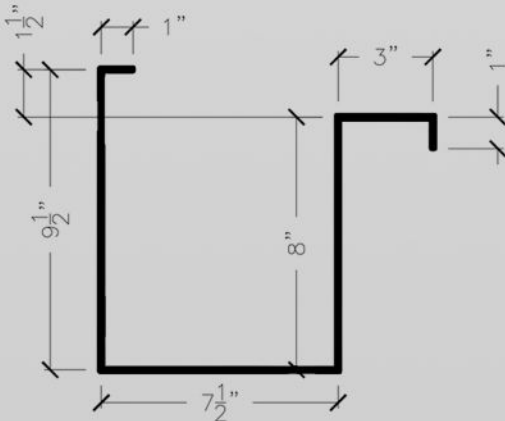


STRUT GUTTER

Prime's Strut Gutter is perfectly suited for any building with water management needs, sturdy enough to handle large amounts of water running off from large bays. Durable and functional, the Strut Gutter is easy to install and will protect your building from run-off damage.

PRIME'S STRUT GUTTER ADVANTAGE:

- 14 gauge material
- Superior G90 Galvanized Coating
- Minimal downspout requirements
- Custom profile capabilities for internal gutters, parapet walls, retrofits, sheeted walls



WWW.PRIMEBLDG.COM